



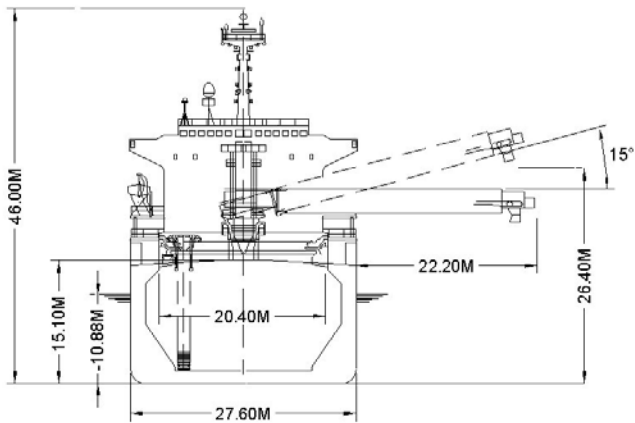
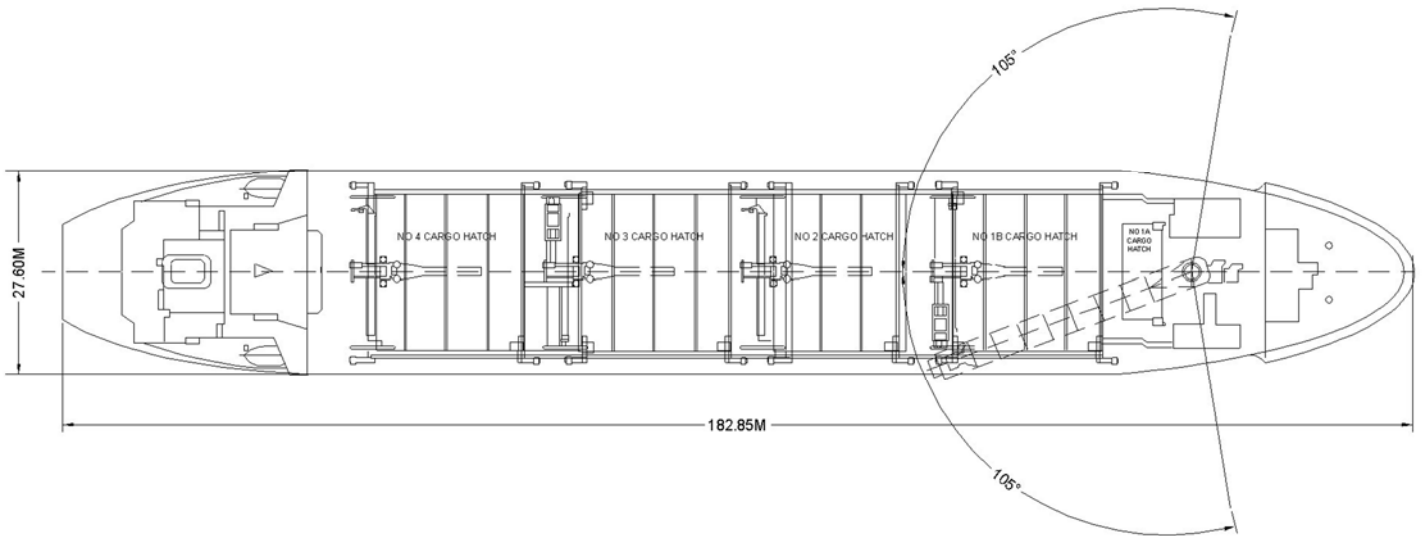
TECHNICAL SPECIFICATIONS

Built	1984
Classification	LR 100 A1, LMC, UMS
Length overall (m)	182.85
Breadth Moulded (m)	27.60
Depth Moulded (m)	15.10
Total Hold Capacity (m ³)	33,524
Deadweight (t)	31,478
Draft (m)	10.88
Gross Tonnage	22,931
Net Tonnage	11,376
Length of Boom	36.00
Discharge Rate (max tph)	750

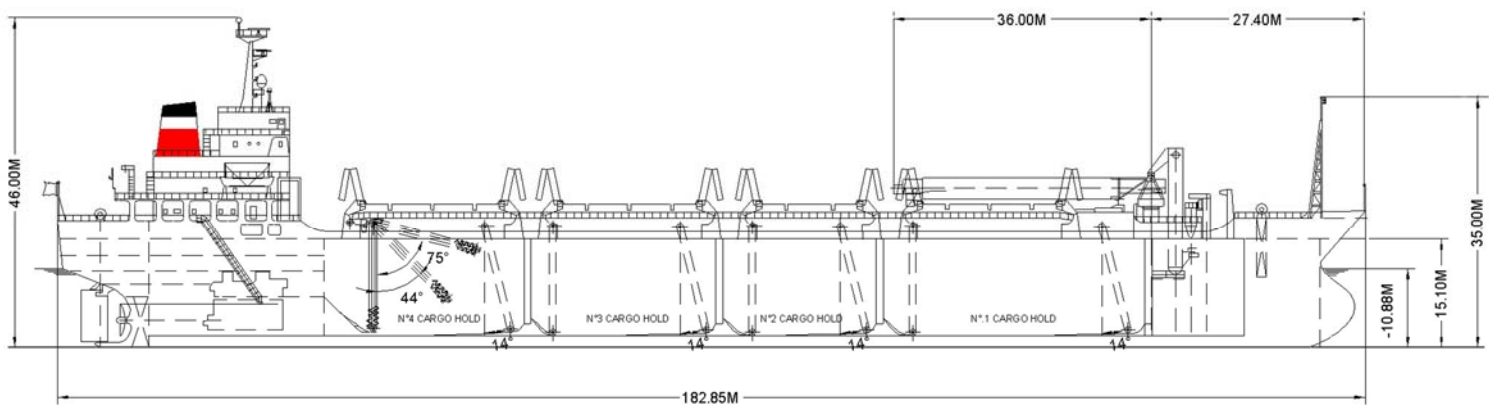
The self-unloading bulk carrier *Stadacona* is a self-unloader equipped with a cargo scraper system.

Stadacona carries powder and granular cargoes such as cement, fly ash, clinker, gypsum, mineral sands and dolomite.

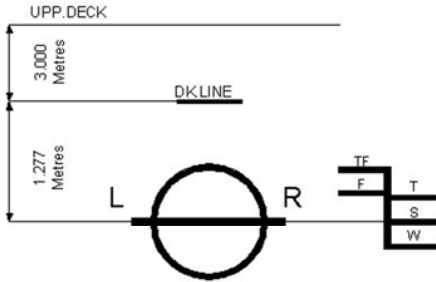
STADACONA



ASSIGNED DRAFT			
Season	Draft (metre)	Displ. (tonnes)	DWT (tonnes)
TF	11.35	43,632	33,484
F	11.13	43,012	32,863
T	11.10	42,160	32,012
S	10.88	41,626	31,478
W	10.65	40,678	30,529



SELF-UNLOADER



DEADWEIGHT SCALE - M/V CSL STADACONA									
	DRAFT				DISPLACEMENT (tonnes)	TPC (tonnes)	DEADWEIGHT (tonnes)	DRAFT	
	Sea Water		Fresh Water					Sea Water	
	(metres)	(feet)	(metres)	(feet)				(feet)	(metres)
		38		38				38	
11		36	11	36				36	11
		34		34	40,000	42	30,000	34	
10		32	10	32		41		32	10
		30		30				30	
9		28	9	28		40		28	9
		26		26	30,000		20,000	26	
8		24		24				24	8
		22		22				22	
7		20	7	20		39		20	7
		18		18			10,000	18	
6		16	6	16	20,000			16	6
		14		14				14	
5		12	5	12				12	5
		10		10				10	
4		8	4	8		38		8	4
		12		12				12	
3		10	3	10	10,000			10	3
		8		8				8	

LIGHTSHIP
10 148tonnes

HATCH AND HOLD SPECIFICATIONS

HOLD VOLUMES (CUBIC METRES)

HOLD NUMBER	1	2	3	4	TOTAL
Cubic (Grain)	10,880.00	6,607.00	8,062.00	7,975.00	33,524.00
Cubic (Bale)	10,120.00	6,311.00	7,660.00	7,468.00	31,559.00

HOLD OPENINGS IN METRES

NUMBER OF OPENINGS	2	1	1	1
Opening Length	5.40/19.6	15.40	20.40	20.40
Opening Width	13.40/20.0	20.00	20.00	20.00
Coaming Height Above Keel	19.00	19.00	19.00	19.00

HATCH INFORMATION (METRES)

DESCRIPTION	Side Rolling				
Operation	Electr/Hydr				
Hatch Length	15.30/19.6	15.50	21.80	20.60	
Hatch Width	13.10/20.4	20.40	20.40	20.40	
Hatch Top Height Above Keel	20.60	20.60	20.60	20.60	

CARGO HANDLING EQUIPMENT

Unloading Equipment: System Tiltius, Bulklift

Dust Suppression System

Bag Filter Type

10,000 m³/hour

Covers Boom and Auxiliary Machinery Space Only.

Unloader Boom Length: 36.00 m

Maximum Boom Outreach: 22.20 m

Discharge Rate: Coal: 750 tph

Designed to Handle Bulk and Powder Cargo

All Conveyors Covered

CONSUMPTION (TONNES PER DAY)

	SPEED		MAIN ENGINE HFO		A/E
	Loaded	Ballast	Loaded	Ballast	HFO
Sea	13.0	13.5	28.0	27.0	2.50
Port/ Anchorage			N/A	N/A	2.5
Loading/ Discharge			N/A	N/A	2.5/4.0