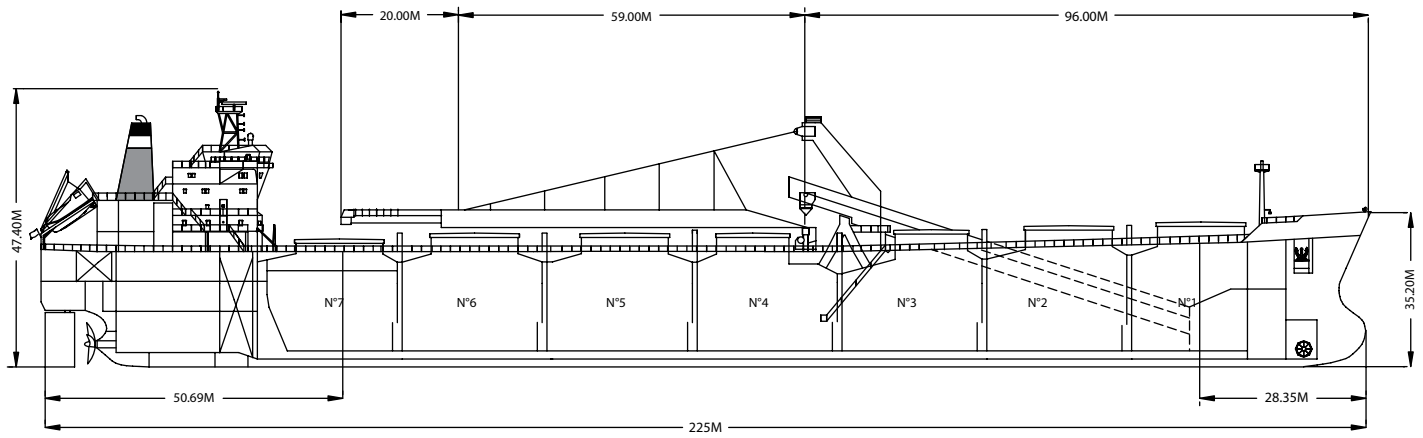
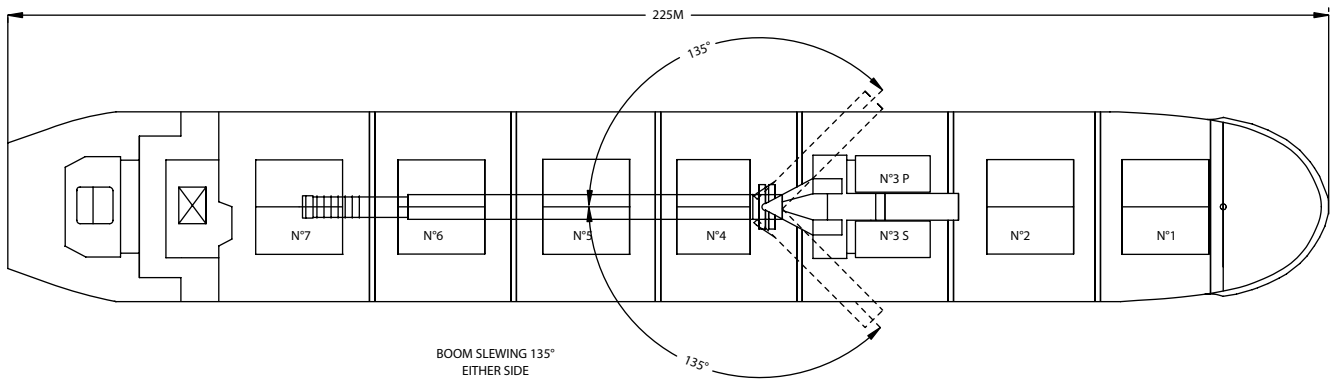
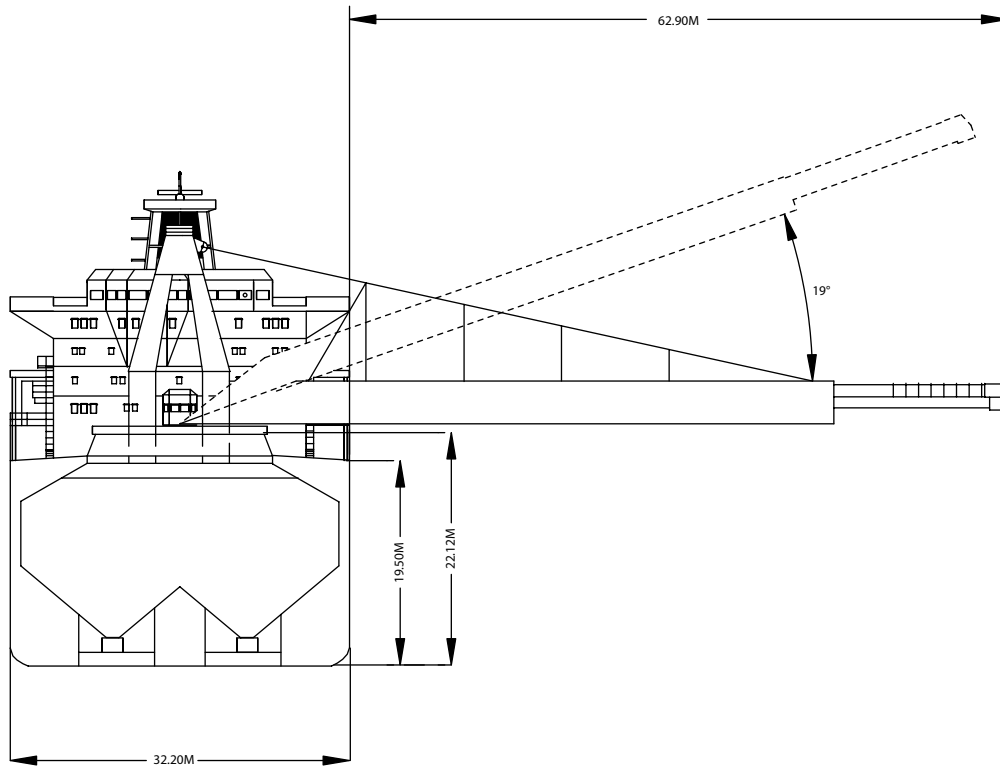




The CSL Spirit unloading at Long Beach, CA.

Built	2001
Classification	DNV + 1A1
Length Overall	225.02 metres
Breadth Moulded	32.19 metres
Depth Moulded	19.51 metres
Total Hold Capacity (including hatches)	66,333.24 cubic metres
Deadweight	70,018 tonnes
Draft	14.42 metres
Gross Tonnage	41,428 tonnes
Net Tonnage	19,172 tonnes
Bow Thruster	1325 kW
Length of Boom	79.00 metres
Discharge Rate	-Coal	4,000 tonnes/hr
	-Ore	6,000 tonnes/hr



Air Drafts												
(metres)												
Draft Condition	Stem	Foremast	Hatches			Cargo Gear	Main Mast		Funnel	Stem	Other Obstruction*	Maximum
			Forward	Midship	Aft		Deployed	Lowered				
Keel	26.36	35.40	24.30	22.46	21.55	43.11	47.28	N/A	42.7	20.00	25.90	47.28
Light Ship	24.55	33.37	22.27	19.00	16.69	40.10	43.05	N/A	38.3	15.34	23.05	43.05
Normal Ballast 50% Bunker	18.71	27.65	16.55	13.53	12.65	34.94	38.54	N/A	33.9	11.10	17.81	38.54
Fully Loaded 50% Bunker	12.21	21.20	10.10	10.11	6.87	28.74	32.67	N/A	28.1	5.32	11.56	32.67

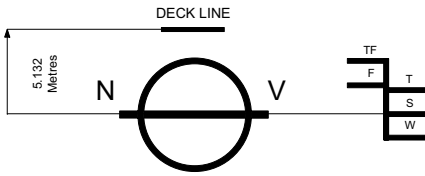
*Incline Belt Gallery max. elevation (above Keel) over aft part of Hold No.3 (may affect loading of the opposite side of the Hold)

Hatch and Hold Specifications									
Hold Number	1	2	3	4	5	6	7	TOTAL	
Hold Volumes (cubic metres)									
Cubic	8,064.2	9,779.9	9,187.7	9,088.4	9,705.0	9,772.2	8664.8	64262.1	
Maximum Grain	8,335.9	10,044.6	9,545.0	9,556.1	9,925.4	9,992.6	8,933.7	66333.2	
Grain in way of Hatch	271.7	264.6	357.3	467.7	220.4	220.4	268.9	2071.2	
Hold Openings (metres)									
Number of Openings	1	1	2	1	1	1	1	8	
Opening Length	14.76	14.76	12.30	12.30	14.76	14.76	14.76		
Opening Width	16.00	16.00	5.80	16.00	16.00	16.00	16.00		
Coaming Height above Keel	23.90	23.20	22.50	22.03	22.10	22.10	21.10		
Hatch Information (metres)									
Description	Side-rolling Panels Hydraulic	Side-rolling Panels Hydraulic	Side-rolling Panels Hydraulic	Side-rolling Panels Hydraulic	Side-rolling Panels Hydraulic	Side-rolling Panels Hydraulic	Side-rolling Panels Hydraulic	Side-rolling Panels Hydraulic	
Operation Hatch Length	15.06	15.06	12.62	12.60	15.06	15.06	15.06	15.06	
Hatch Width	8.15	8.15	6.12	8.15	8.15	8.15	8.15	8.15	
Hatch Top Height above Keel	24.85	24.15	23.45	22.97	23.05	23.05	22.05		

Cargo Handling Equipment
• Telescopic boom
• A shuttle-type conveyor is fitted at the toe and extends boom 20m
• Two 3.5 m/s hold conveyors
• Two 4.3 m/s transfer conveyors. One 4.5 m/s inclined belt.
• All belts 1.8m wide with 35 degree trough
• Dust Suppression: All holds and transfer points are fitted with positive air pressure dust collectors plus water sprayers.
• Unloader Inner Boom Length: 59.00 metres
• Discharge Rate - Coal: 4,000 tonnes/hr - Ore: 6,000 tonnes/hr
• Maximum Boom Outreach: 62.90 metres

Speed Consumption					
	Speed		Consumption		
	Loaded	Ballast	Loaded	Ballast	Port
At Sea	13.50	14.00	32.00	31.00	N/A
Loading					4.10
Discharge					7.00

For more information on this ship please visit www.cslships.com



ASSIGNED DRAFTS			
Season	Draft (metre)	Displ. (tonnes)	DWT (tonnes)
TF	15.05	89,077	71,530
F	14.75	87,329	69,782
T	14.72	89,575	72,028
S	14.42	87,584	70,037
W	14.12	85,599	68,052

DEADWEIGHT SCALE									
DRAFT				DISPLACEMENT	TPC	DEADWEIGHT	DRAFT		
Sea Water		Fresh Water					Sea Water		
(metre)	(feet)	(metre)	(feet)	(tonnes)	(tonnes)	(tonnes)	(feet)	(metre)	
	48	15		90,000			48		
14	46		48		66		46	14	
	44	14	46	80,000			44		13
13	42		44			60,000	42		
	40	13	42	70,000			40		12
12	38		40				38		
	36	12	38	50,000			36		11
11	34		36	60,000	64		34		10
	32	11	34			40,000	32		
10	30		32				30		9
	28	10	30	50,000			28		
9	26		28		62	30,000	26		8
	24	9	26	40,000			24		
8	22		24			20,000	22		7
	20	8	22				20		6
7	18		20	30,000		10,000	18		
	16	7	18		60		16		5
6	14		16				14		
	12	6	14	20,000			12		4
5	10		12				10		
	8	5	10		58		8		3
4			8						

Light Ship
17,547 tonnes

0981-04 06/13/06



For more information on this ship please visit
www.cslships.com