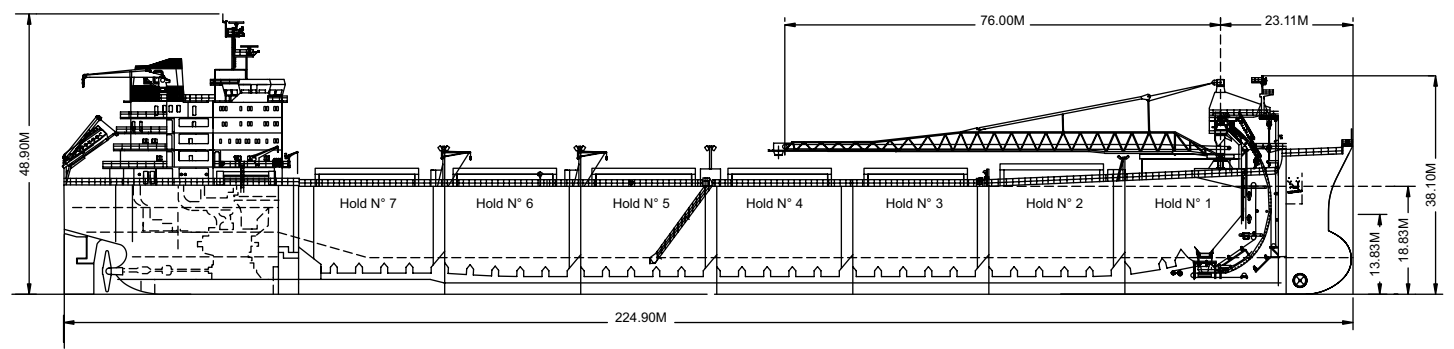
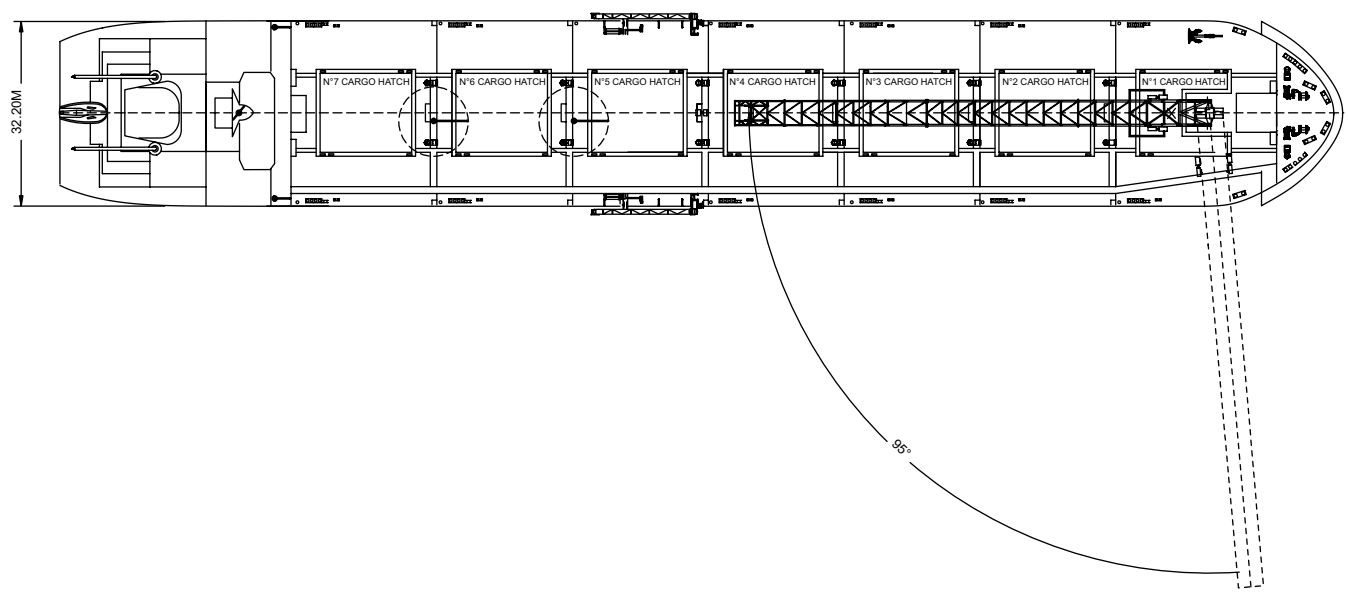
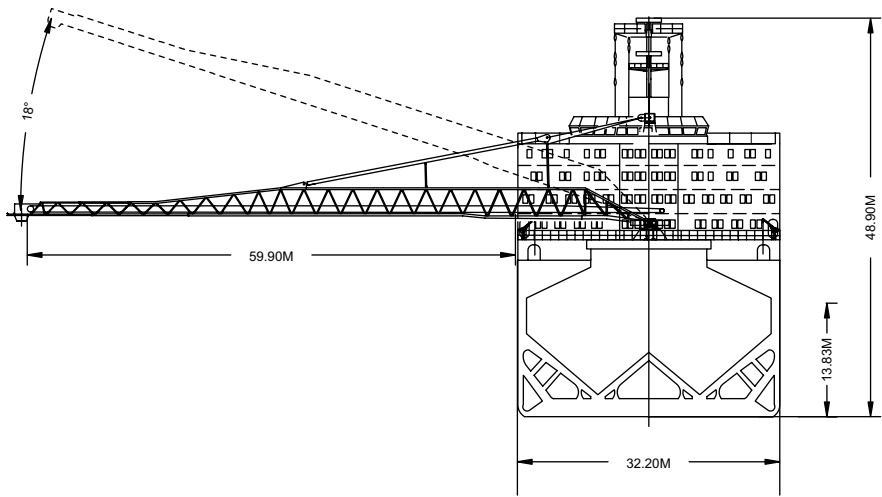




Built 2005, converted to SUL-bulkcarrier in 2006
Classification GL +100 A5, BC-B, ESP, E1, IW, C1D11, + MC, E1
Length Overall 224.90 metres
Breadth Moulded 32.20 metres
Depth Moulded 18.84 metres
Total Hold Capacity (including hatches) 61,521 cubic metres
Deadweight 66,188 tonnes
Draft 13.83 metres
Gross Tonnage 42,033 tonnes
Net Tonnage 18,012 tonnes
Bow Thruster 1,500 kW
Length of Boom 76.0 metres
Discharge Rate (maximum) 4,000 tonnes/hr
 (or 5,000 cubic metres/hr)



0981-04 11/24/06

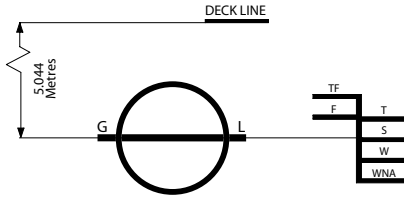
Air Drafts (metres)												
Draft Condition	Stem	Foremast	Hatches			Cargo Gear	Main Mast		Funnel	Stern	Other Obstruction*	Maximum
			Forward	Midship	Aft		Deployed	Lowered				
Keel	26.00	38.10	23.75	20.85	20.85	37.60	48.90	48.90	41.40	19.00	N/A	48.90
Light Ship	24.00	37.30	22.00	18.20	17.40	35.50	43.50	43.50	35.80	13.50	N/A	43.50
Normal Ballast 50% Bunker	20.20	32.24	17.05	13.97	13.41	31.70	41.15	41.15	33.60	11.10	N/A	41.15
Fully Loaded 50% Bunker	12.17	24.27	9.92	8.02	8.02	23.77	35.07	35.07	27.57	5.17	N/A	35.07

Hatch and Hold Specifications									
Hold Number	1	2	3	4	5	6	7	TOTAL	
Hold Volumes (cubic metres)									
Cubic (grain)	7,440	9,256	9,076	9,079	9,075	8,852	8,743	61,521	
Cubic in Hatchcoaming	463	596	508	508	508	508	508	3,599	
Hold Openings (metres)									
Number of Openings	1	1	1	1	1	1	1	7	
Opening Length	16.7 / 8.8	16.7	16.7	16.7	16.7	16.7	16.7	16.7	
Opening Width	15.2 / 2 x 4.18	15.2	15.2	15.2	15.2	15.2	15.2	15.2	
Coaming Height above Keel	23.0	21.7	21.0	21.0	21.0	21.0	21.0	21.0	
Hatch Information (metres)									
Description	Side Rolling	Side Rolling	Side Rolling	Side Rolling	Side Rolling	Side Rolling	Side Rolling		
Operation	Electric/Hydraulic	Electric/Hydraulic	Electric/Hydraulic	Electric/Hydraulic	Electric/Hydraulic	Electric/Hydraulic	Electric/Hydraulic	Electric/Hydraulic	
Hatch Length	17.00 m	17.00 m	17.00 m	17.00 m	17.00 m	17.00 m	17.00 m	17.00 m	
Hatch Width	7.75 m	7.75 m	7.75 m	7.75 m	7.75 m	7.75 m	7.75 m	7.75 m	
Hatch Top Height above Keel	24.85 m	22.75 m	21.95 m	21.95 m	21.95 m	21.95 m	21.95 m	21.95 m	

Cargo Handling Equipment	
• Fixed Type Conveyor along boom	
• Two variable speed (0.47 - 1.75m/s) hold conveyors	
• Two fixed speed (2.54m/s) transfer conveyors	
• One variable speed (1.43 - 4.77m/s) 'C' loop conveyor	
• One fixed speed (3.80m/s) boom conveyor	
• Hold conveyor belts 2.20m wide	
• Transfer conveyor belts 2.20m wide	
• 'C' loop conveyor 2.52m (outside belt) and 2.70m (inner belt) wide	
• Boom conveyor 1.80m wide	
• All belts have 35 degree trough	
• Dust Suppression: Holds are filled with positive air pressure dust collectors plus water/air sprayers on the boom	
• Discharge Rate:	
Coal	5,000 m ³ /hr
Ore/Gypsum/Granite	4,000 tonnes/hr
• Boom working area: 95° to port, 95° to starboard side	
• Maximum Boom Outreach: 61.90 metres	

Speed Consumption					
	Speed		Consumption		
	Loaded	Ballast	Loaded	Ballast	Port
At Sea	12.50	13.00	36.20	34.20	N/A
Loading					2.20
Discharge					6.00

For more information on this ship please visit
www.cslships.com



DEADWEIGHT SCALE									
DRAFT				DISPLACEMENT	TPC	DEADWEIGHT	DRAFT		
Sea Water		Fresh Water					Sea Water		
(metre)	(feet)	(metre)	(feet)	(tonnes)	(tonnes)	(tonnes)	(feet)	(metre)	
15		15						15	
	48		48	90,000		70,000	48		
14		14					46	14	
	46		46						
	44		44	80,000	67		44		
13		13				60,000	42	13	
	42		42						
	40		40				40	12	
12		12							
	38		38	70,000	66		38		
	36		36			50,000		11	
11		11							
	34		34		65		34		
	32		32	60,000		40,000	32	10	
10		10							
	30		30		64		30	9	
9		9							
	28		28	50,000	63	30,000	28		
	26		26				26	8	
8		8							
	24		24		62		24		
	22		22	40,000		20,000	22	7	
7		7							
	20		20		61		20	6	
6		6							
	18		18	30,000		10,000	18		
	16		16		60		16	5	
5		5							
	14		14				14	4	
4		4							
	12		12	20,000	59		12		
	10		10			0			
3		3			58		10	3	
	8		8		57		8		
2				10,000				2	

ASSIGNED DRAFTS			
Season	Draft (metre)	Displ. (tonnes)	DWT (tonnes)
TF	14.43	86,598	68,095
F	14.14	84,696	66,193
T	14.12	86,637	68,134
S	13.83	84,691	66,188
W	13.54	82,750	64,247
WNA	13.25	80,812	62,309

Light Ship
18,503 tonnes

0981-04 11/27/06



For more information on this ship please visit www.cslships.com